

## IMPORTANT

### CUTTING OPENING

- \* Only a professional stone fabricator is qualified to perform this installation.
- \* Measure the length and width of the bowl, then add 1/2" to the length and width. This is the dimension of the opening to be cut on the counter top.

### SILICONE CAULKING

- \* MUST use 100% silicone for this installation.
- \* Silicone color should match counter top color as close as possible.
- \* If there is NO matching color to the counter top, use CLEAR silicone.
- \* NEVER use "SILVER" silicone.
- \* NEVER perform this procedure outdoor and under direct sunlight.
- \* If performed under an extremely hot and dry climate, caulking of the sink frame should be performed by two persons at the same time.
- \* Immediately install the sink into the counter top opening after applying silicone.

### RETRO FITTING

- \* If you are Retro Fitting your sink please see Page 7 of this guide for instructions.

# Mila International TRI-MOUNT Installation Instructions TOP-MOUNT



## INTRODUCTION

Thank you for choosing a Mila International, Inc. TRI-MOUNT sink.

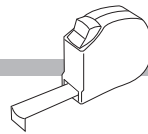
Before you begin:

- Please carefully read these instructions.
- Unpack and inspect the sink carefully. Do not install a damaged sink.
- Save all original packaging and receipts.
- Check and follow all local plumbing codes.

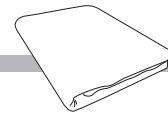
Recommended tools and materials



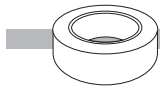
Safety goggles



Tape measure



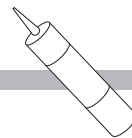
Lint-free wiping cloth



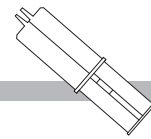
Blue painter's tape



Knife



100% silicone



Epoxy glue

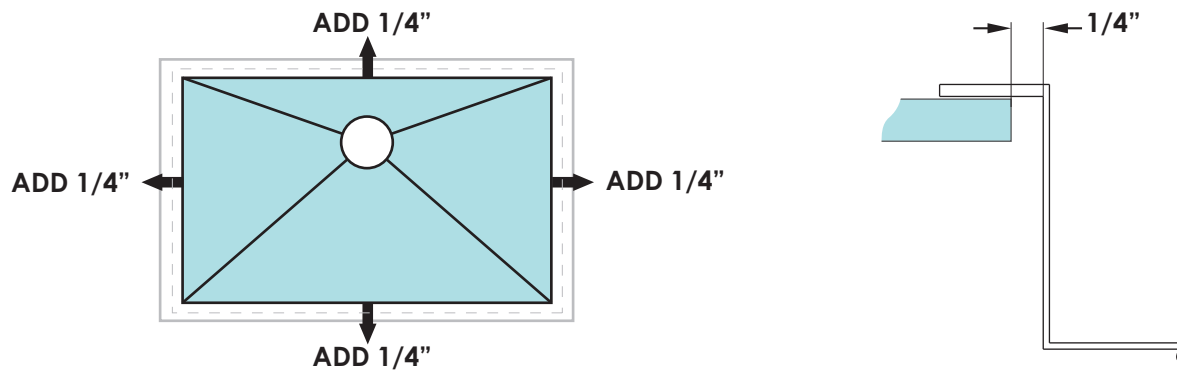
# Mila International TRI-MOUNT Installation Instructions TOP-MOUNT



## Step 1: CUTTING OPENING

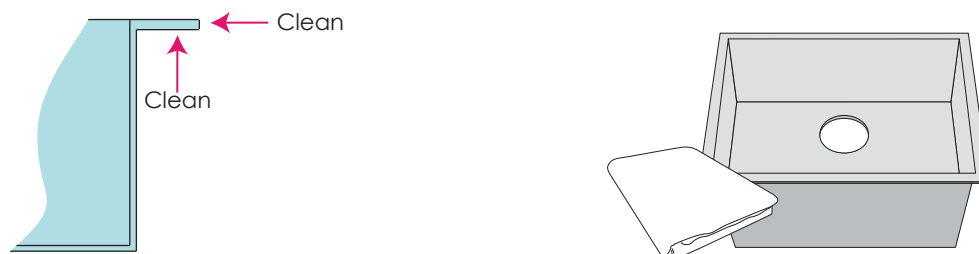
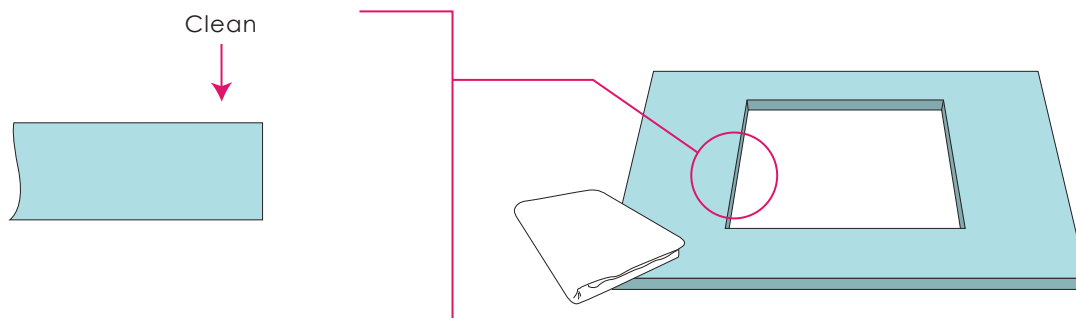
Carefully measure the length and width of the sink bowl, then add 1/2" to the length and width. This is the dimension of the opening to be cut in the counter top.

**IMPORTANT** \* ONLY A PROFESSIONAL STONE FABRICATOR IS QUALIFIED TO PERFORM THIS CUT.



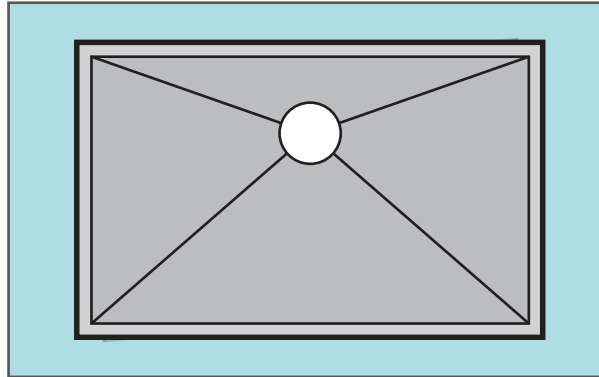
## Step 2: CLEANING

Gently clean the counter top and the sink frame to remove all dirt, oil, and contaminants from the surfaces. Do not use any abrasive cleaning solutions that may damage the counter top surface and sink frame.

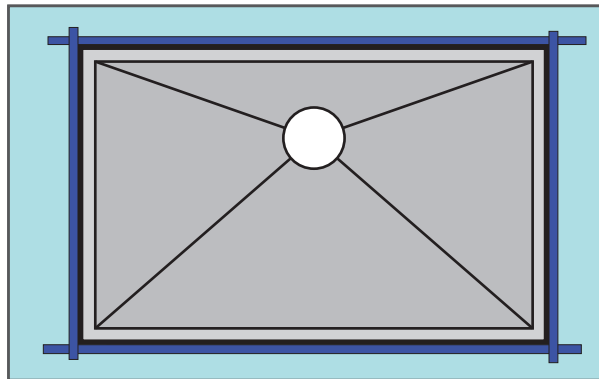
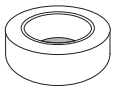


**Step 3: COUNTER TOP PREPARATION**

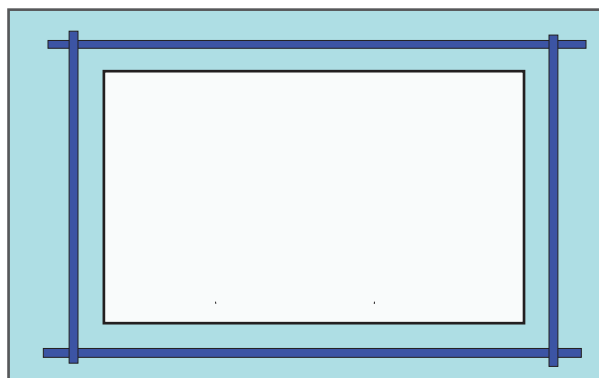
1. Carefully place sink into the counter top opening and align it correctly ensuring it sits square.



2. Stick blue tape to the counter top to carefully and accurately outline the sink frame.



3. Remove the sink from the counter top leaving the blue tape guide for installation.

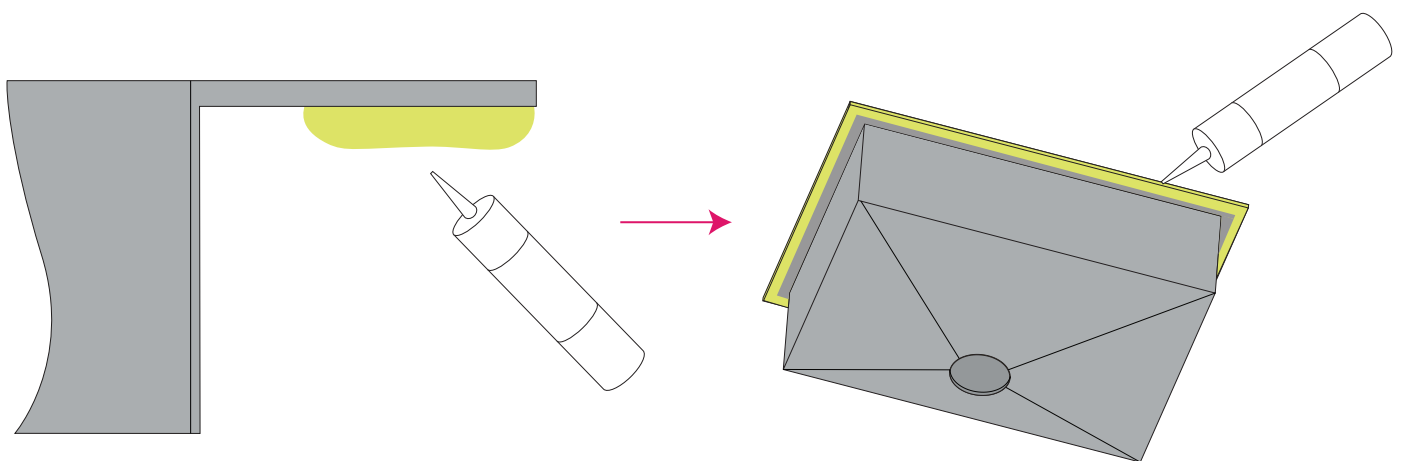


Step 3: SILICONE CAULKING

IMPORTANT

\* Immediately install the sink into counter top opening after buttercoating the sink frame with silicone.

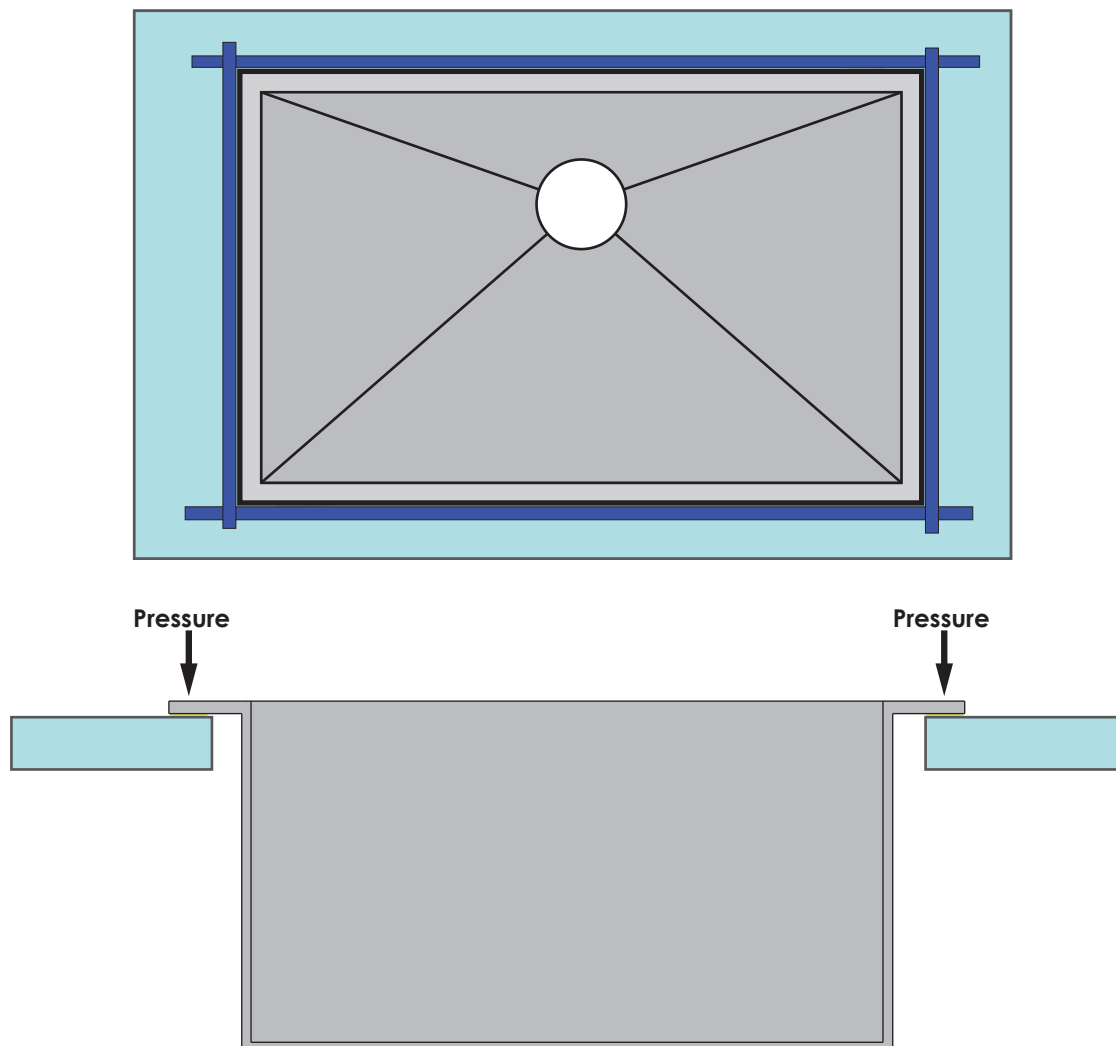
Butter coat the bottom of the sink frame with a thin coat of 100% silicone on all four sides.  
\*Please follow diagram below.



**Step 4: SINK INSTALLATION**

**IMPORTANT** \* Immediately install the sink into counter top opening.

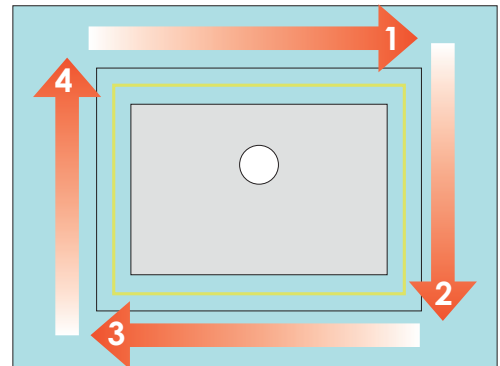
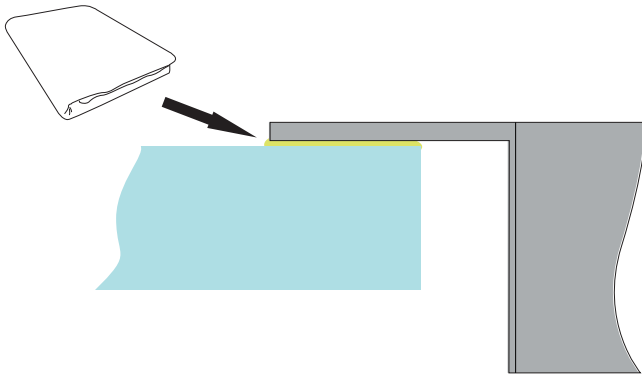
1. Carefully place sink into the counter top opening.
2. Align the sink ensuring it is perfectly square with the counter top
3. Apply gentle and even downward pressure to the top of the sink frame.



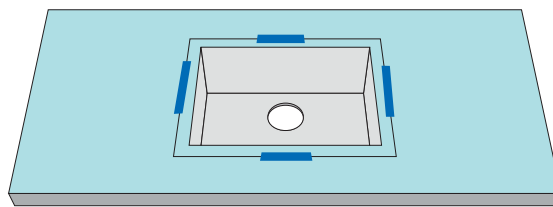
**\* Once Step 4 is completed, proceed immediately to Step 5.**

**Step 5: CLEANING SILICONE**

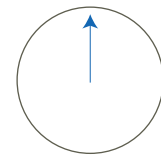
Using a **lint-free wiping cloth**, immediately wipe off excess silicone in the indicated order.



**Step 6: FINAL PROCESS**

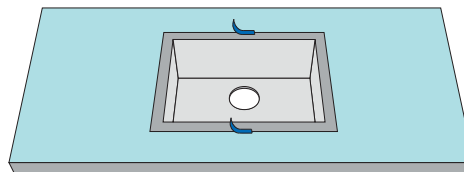


Allow 24 hours



Before removing protective blue tape from the counter top and sink frame, lightly sand the gap between counter top and sink frame with 300 grid sandpaper to break residual silicone.

Carefully remove the blue painter's tape from the sink and the counter top.



The installation is now complete. Please enjoy your sink!

# Mila International TRI-MOUNT Installation Instructions TOP-MOUNT RETRO FITTING

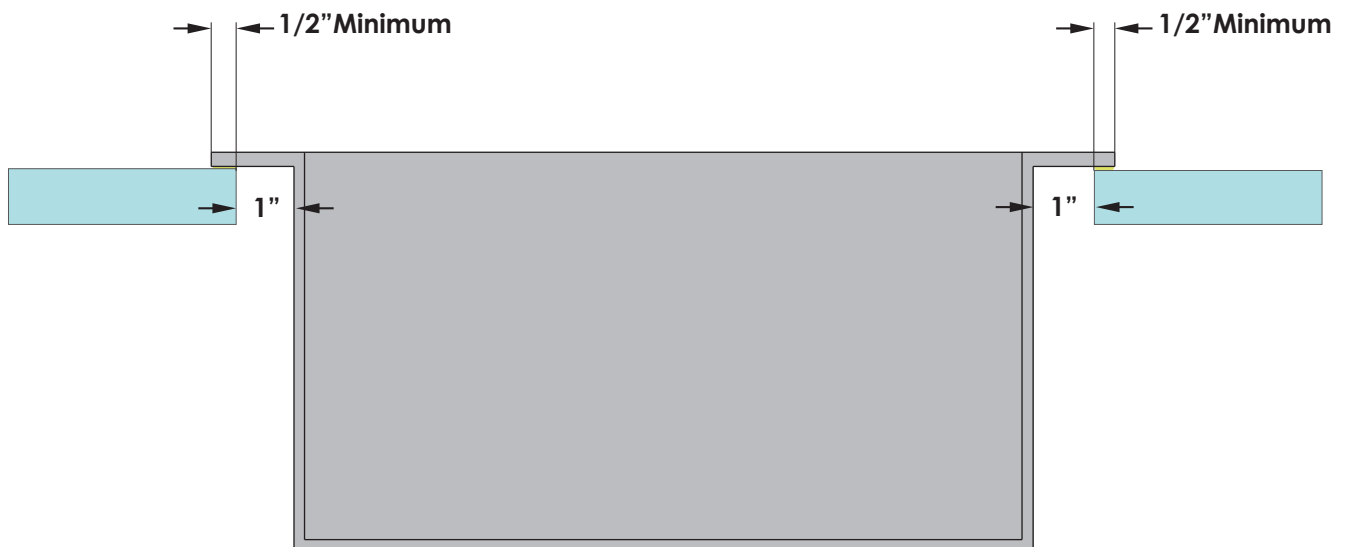


## Step 1: RETRO FITTING

Due to the strength of our 1/4" thick Stainless Steel sink frame, retro fitting has never been easier.

The frames strength allows you to top-mount your sink with just 1/2" overlap on the counter top. This allows 2" of play between front and back of the opening in relation to our sink.

This means that you no longer have to cut a new opening for your Mila sink or get a new counter top to accommodate it. Simply find a TRI-MOUNT sink that is up to approximately 2" smaller than the opening for top-mount installation.



To install your new Mila sink simply follow steps 2 - 6 and enjoy your new sink.

MILA INTERNATIONAL MAKES NO WARRANTIES, EXPRESSED OR IMPLIED, INCLUDING BUT NOT LIMITED TO ANY WARRANTY OF MERCHANTABILITY OR OF FITNESS FOR A PARTICULAR PURPOSE, AS TO THE INFORMATION CONTAINED HERE IN OR THE PRODUCTS DESCRIBED HEREIN.